



JS-PUMP

# RSD Series



## RSD Dewatering Pumps

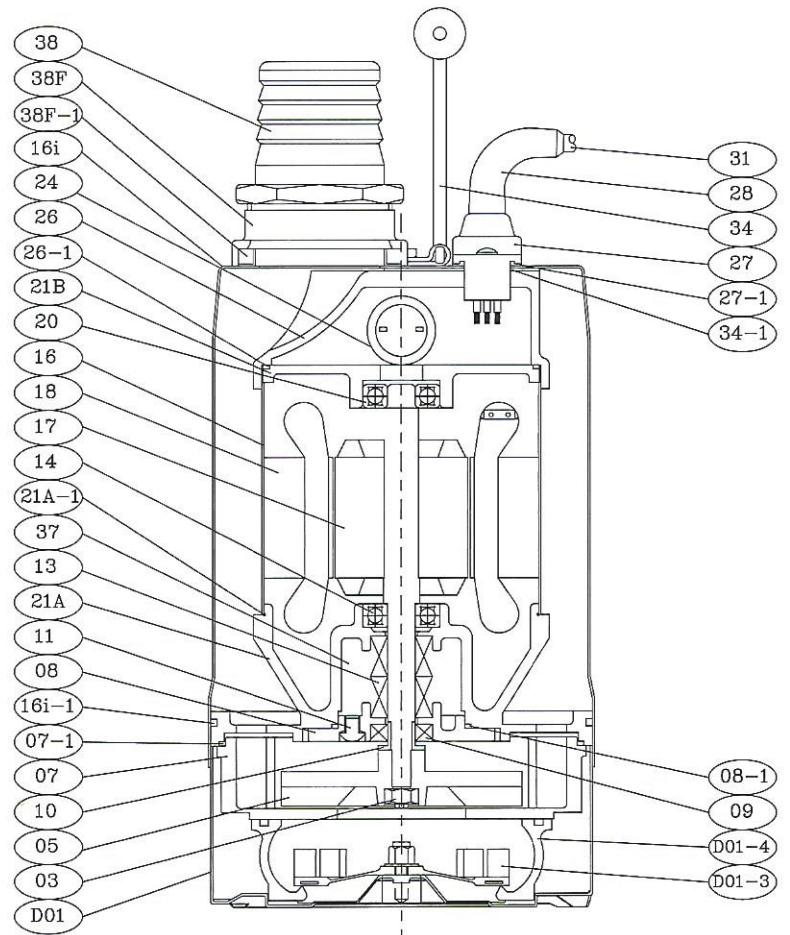
Domestic water cleanup, garages, cellars, basements, pools, storm & flood water removal

Portable low level residue dewatering pumps for complete drainage of flat surfaces. Non-return valve prevents water backflow.

### Construction Material

- Top discharge provides maximum motor cooling for continuous duty operation.
- Double mechanical seals (0.25kw and above).
- Class F motor insulation.
- Shaft sleeve saves on shaft wear due to abrasives and corrosion.
- Additional lip seal protection keeps impurities and abrasives away from the mechanical seals.
- Thermal overload protection guards against high amperage and high temperature.

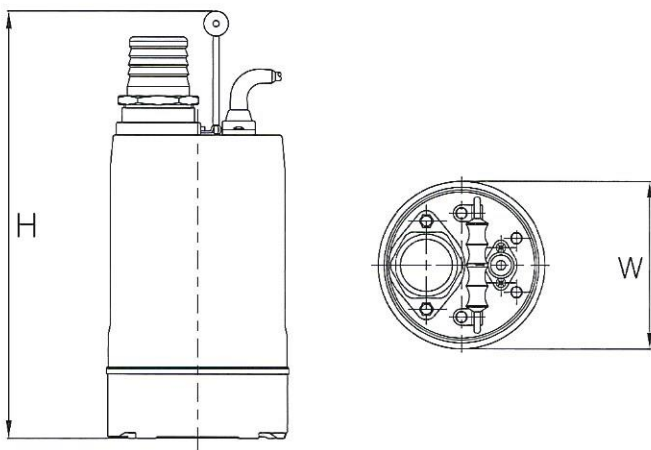
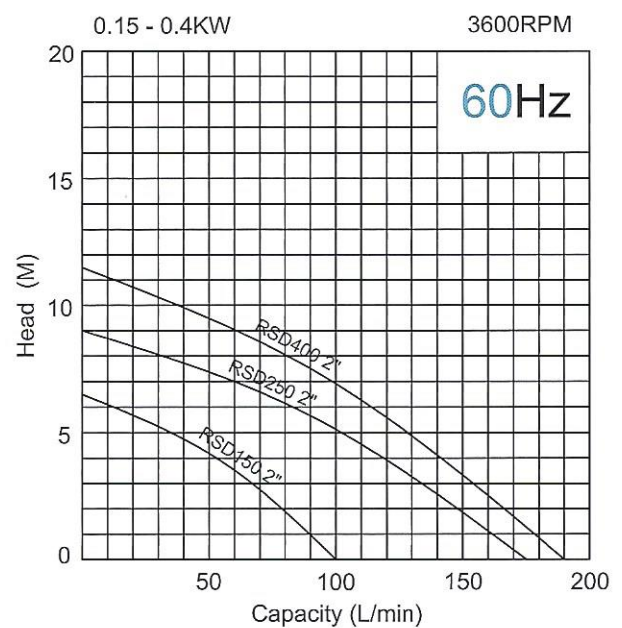
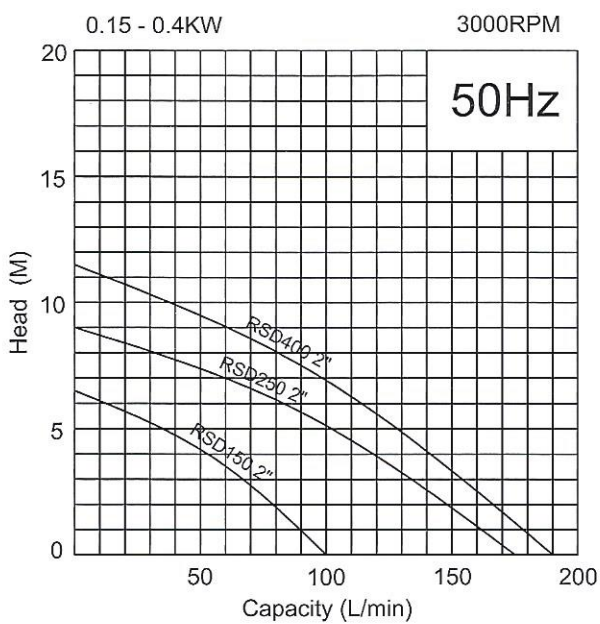
NO.	DESCRIPTION	MATERIAL
D01	STRAINER	SUS 304
D01-3	CHECK FLAP VALVE	NBR
D01-4	RUBBER CUP	NBR
03	NUT	SUS 304
05	IMPELLER	PC + GF
07	PUMP HOUSING	FC 200
07-1	ORING	NBR
08	OIL CHAMBER COVER	FC 200
08-1	ORING	NBR
09	LIP SEAL (BOTTOM)	NBR
10	SHAFT SLEEVE	SUS 304
11	PLUGS	SUS 304
13	MECHANICAL SEAL	
14	BEARING (BOTTOM)	
16	MOTOR CASING	SUS 304
16i	PUMP OUTER CASING	SUS 304
16i-1	ORING	NBR
17	ROTOR SHAFT	SUS 304
18	STATOR	
20	BEARING (UP)	
21A	BOTTOM BEARING HOLDER	FC 200
21A-1	ORING	NBR
21B	MOTOR UPPER COVER	ST
24	CONDENSER	
26	UPPER COVER	FC 200
26-1	ORING	NBR
27	CABLE GLAND	NYLON + GF
27-1	ORING	NBR
28	RUBBER SLEEVE	NBR
31	CABLE	PVC
34	HANDLE	SUS 304 + NBR
34-1	GASKET	NBR
37	OIL	T-32
38	DISCHARGE OUTLET	PP
38F	FLANGE	SUS 304
38F-1	GASKET	NBR



# RSD Performance Curve

## 50/60

Pump Type	Output KW	Output HP	Discharge Inch	Voltage	Max			Cable M	Weight kg
					Head M	Capacity L/min	Solid mm		
RSD150	0.15	0.2	2	1 phase 100V-240V	6.5/6.5	100/100	3	10	4.5
RSD250	0.25	0.34	2		9/9	175/175	5	10	12
RSD400	0.4	0.5	2		11.5/11.5	190/190	5	10	12.5



Dimensions

(mm)

PUMP TYPE	PUMP SECTION	
	H	W
RSD150	280	138
RSD250	380	161
RSD400	380	161