



JS PUMP

GS Series



GS Grinder Pumps

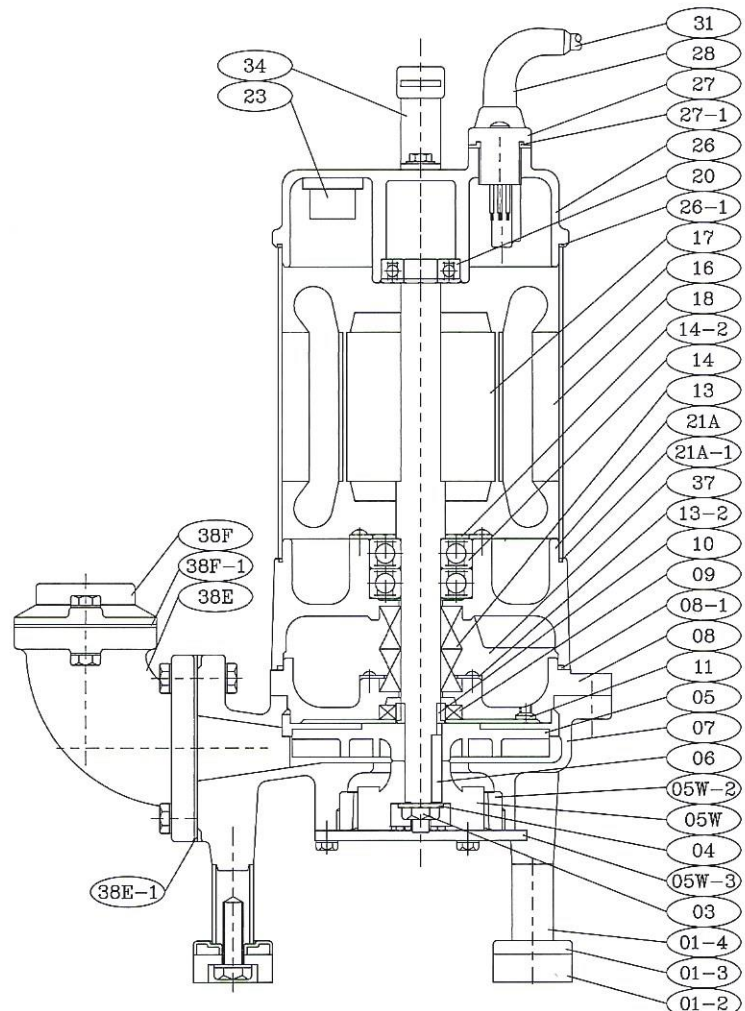
Organic waste, disposable wipes, sanitary products, rags

The GS series are equipped with a high chrome iron grinder mechanism to crush and grind soft solids into fine particles before discharging. Slide rail kits available for easier and safer pumps maintenance.

Construction Material

- High chrome iron grinder impeller and shredding ring.
- Double mechanical seals.
- Class F motor insulation.
- Shaft sleeve saves on shaft wear due to abrasives and corrosion.
- Additional lip seal protection keeps impurities and abrasives away from the mechanical seals.
- Thermal overload protection guards against high amperage and high temperature.
- Enhanced cable entry sealing system.

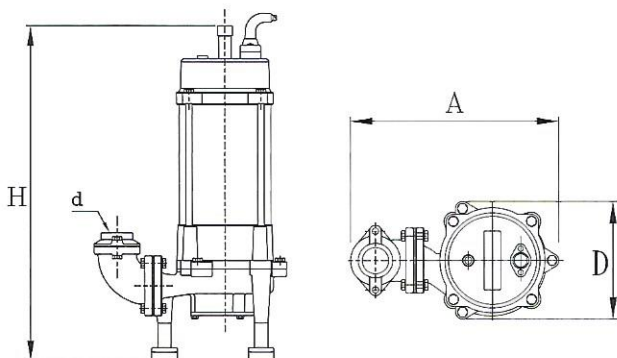
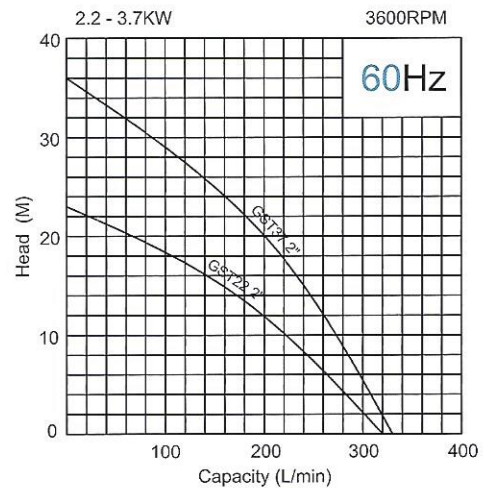
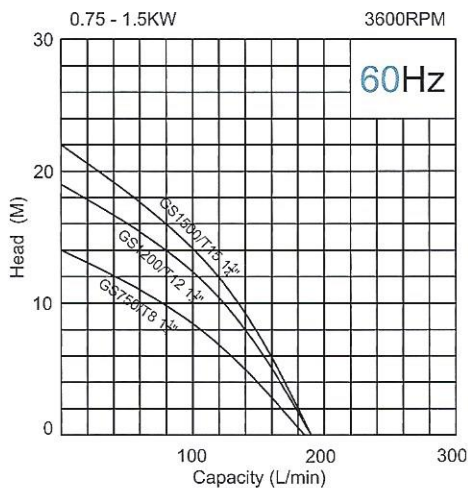
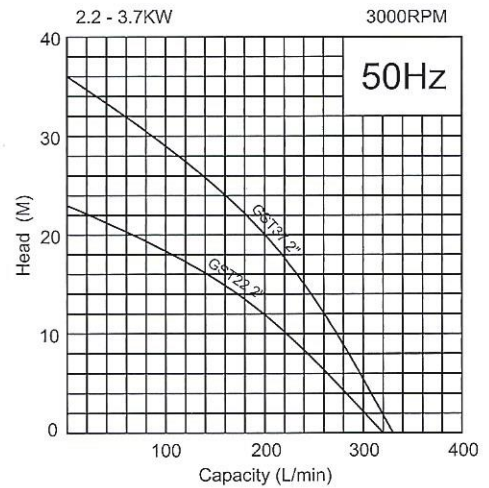
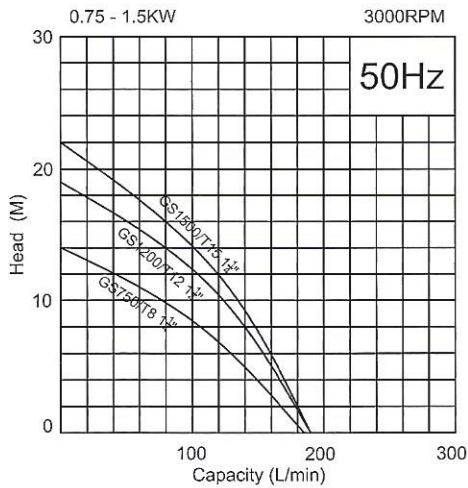
NO.	DESCRIPTION	MATERIAL
01-2	CUSHION	NBR
01-3	STAND COVER	SUS 304
01-4	STAND SLEEVE	SUS 304
03	NUT	SUS 304
04	WASHER	SUS 304
05	IMPELLER	FCD 400
05W	GRINDER	HICR
05W-2	GRINDER RING	HICR
05W-3	GRINDER RING HOLDER	FCD 400
06	KEY	SUS 304
07	PUMP HOUSING	FCD 400
08	OIL CHAMBER COVER	FC 200
08-1	ORING	NBR
09	LIP SEAL (BOTTOM)	NBR
10	SHAFT SLEEVE	SUS 316
11	PLUGS	SUS 304
13	MECHANICAL SEAL	
13-2	SEAL COVER	SUS 304
14	BEARING (BOTTOM)	
14-2	BEARING COVER	SUS 304
16	MOTOR CASING	SUS 304
17	ROTOR SHAFT	SUS 304
18	STATOR	
20	BEARING (UP)	
21A	MOTOR BOTTOM COVER	FC 200
21A-1	ORING	NBR
23	OVERLOAD PROTECTOR	
26	UPPER COVER	FC 200
26-1	ORING	NBR
27	CABLE GLAND	
27-1	ORING	NBR
28	RUBBER SLEEVE	NBR
31	CABLE	PVC
34	HANDLE	SUS 304 + NBR
37	OIL	T-32
38E	ELBOW	FC 200
38E-1	GASKET	NBR
38F	FLANGE	FC 200
38F-1	GASKET	NBR



GS Performance Curve

50/60

Pump Type	Output KW	Output HP	Discharge Inch	Voltage	Max			Cable M	Weight kg
					Head M	Capacity L/min	Solid mm		
GS750	0.75	1	1 $\frac{1}{4}$ "	1 phase 100V-240V	14/14	185/185	3	10	29
GS1200	1.2	1.5	1 $\frac{1}{4}$ "		19/19	190/190	3	10	31
GS1500	1.5	2	1 $\frac{1}{4}$ "		22/22	190/190	3	10	37
GST8	0.75	1	1 $\frac{1}{4}$ "	3 phase 200V-600V	14/14	185/185	3	10	26
GST12	1.2	1.5	1 $\frac{1}{4}$ "		19/19	190/190	3	10	29
GST15	1.5	2	1 $\frac{1}{4}$ "		22/22	190/190	3	10	32
GST22	2.2	3	2"		23/23	320/320	3	10	48
GST37	3.7	5	2"		36/36	330/330	3	10	50



Dimensions

(mm)

PUMP TYPE	DISCHARGE BORE	PUMP SECTION		
	d	A	D	H
GS750	1 $\frac{1}{4}$ "(32)	300	170	557
GS1200	1 $\frac{1}{4}$ "(32)	300	170	557
GS1500	1 $\frac{1}{4}$ "(32)	305	180	605
GST8	1 $\frac{1}{4}$ "(32)	300	170	499
GST12	1 $\frac{1}{4}$ "(32)	300	170	499
GST15	1 $\frac{1}{4}$ "(32)	305	180	538
GST22	2"(50)	350	206	595
GST37	2"(50)	350	206	610