



SKSS Series

JS PUMP



SKSS Shredder Pumps

Municipal, industrial and agricultural sewage in corrosive environments, dairy waste, trash, garbage

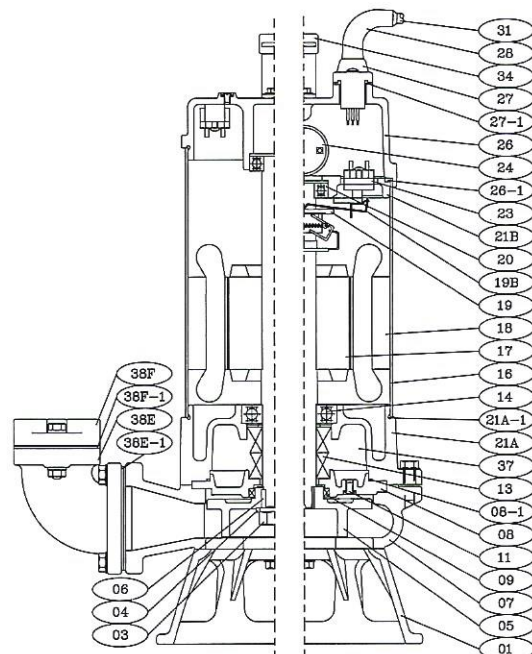
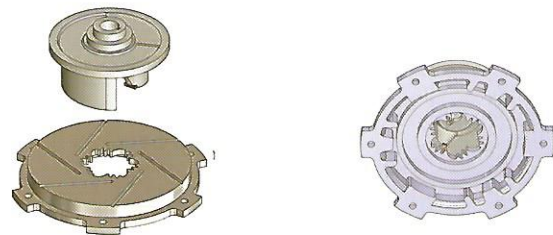
Corrosion resistant 316 stainless steel shredder pumps. All exposed wet parts are made of 316 stainless steel. Elastomers and O-rings are made of Viton. Slide rail kits available for easier and safer pumps maintenance.

Construction Material

- Double mechanical seals.
- Class F motor insulation.
- Shaft sleeve saves on shaft wear due to abrasives and corrosion.
- Additional lip seal protection keeps impurities and abrasives away from the mechanical seals.
- Thermal overload protection guards against high amperage and high temperature.
- Enhanced cable entry sealing system.



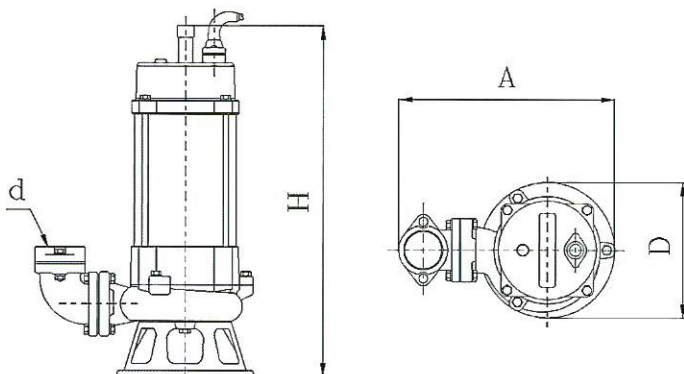
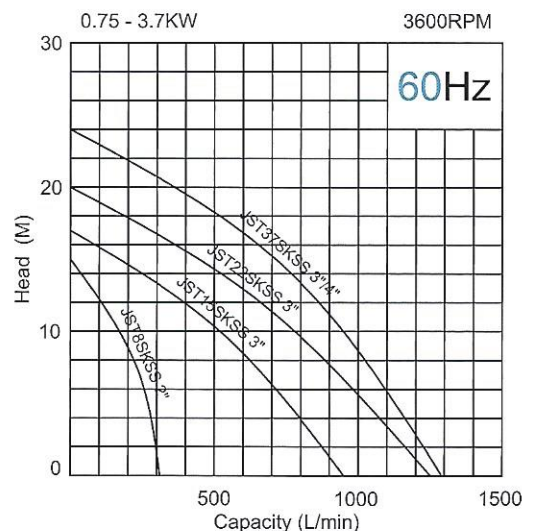
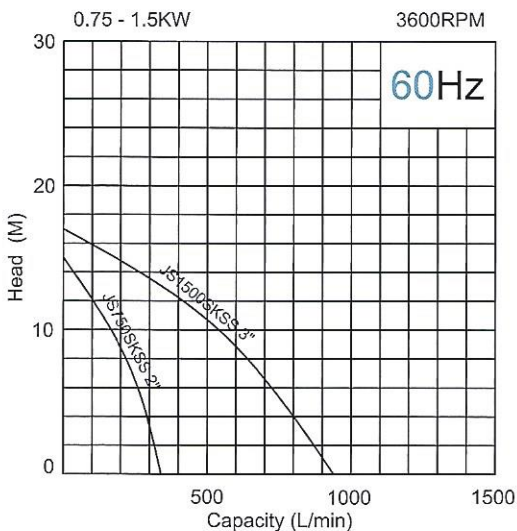
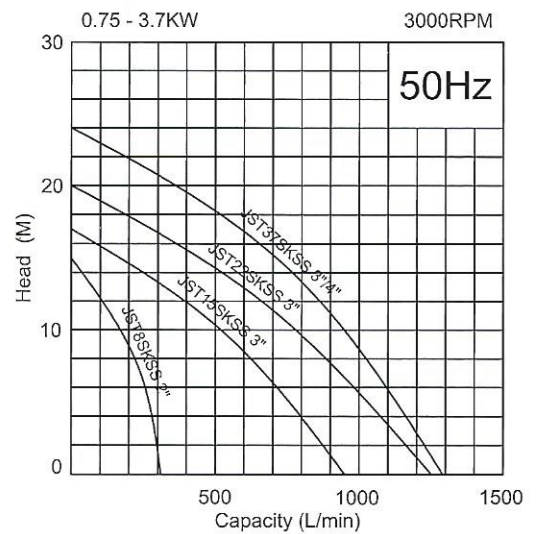
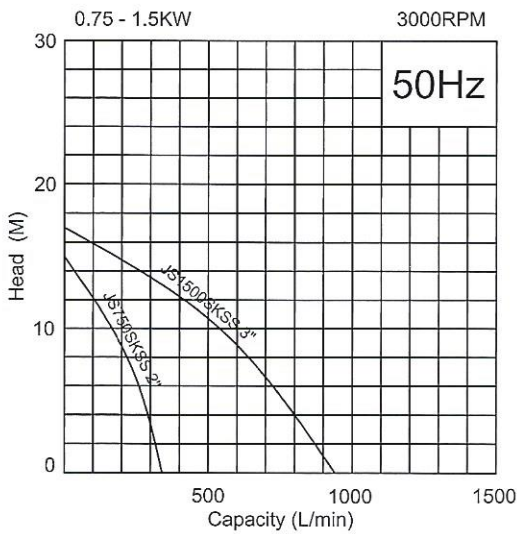
NO.	DESCRIPTION	MATERIAL
01	STRAINER	SUS 316
03	NUT	SUS 316
04	WASHER	SUS 316
05	IMPELLER	SUS 316
06	KEY	SUS 316
07	PUMP HOUSING	SUS 316
08	OIL CHAMBER	SUS 316
08-1	ORING	VITON
09	LIP SEAL (LOWER)	VITON
11	PLUGS	SUS 316
13	MECHANICAL SEAL	SIC / CAR
14	BEARING (BOTTOM)	
16	MOTOR CASING	SUS 316
17	ROTOR SHAFT	SUS 316
18	STATOR	H-23
19	GOVERNOR SWITCH	
19B	GOVERNOR SWITCH PLATE	
20	BEARING (UP)	
21A	MOTOR BOTTOM COVER	SUS 316
21A-1	ORING	VITON
21B	MOTOR UPPER COVER	FC 200
23	OVERLOAD PROTECTOR	
24	CONDENSER	
26	UPPER COVER	SUS 316
26-1	ORING	VITON
27	CABLE GLAND	
27-1	GASKET	VITON
28	RUBBER SLEEVE	NBR
31	CABLE	PVC
34	HANDLE	SUS 316
37	OIL	T-32
38E	ELBOW	SUS 316
38E-1	GASKET	
38F	FLANGE	SUS 316
38F-1	GASKET	



SKSS Performance Curve

50/60

Pump Type	Output KW	Output HP	Discharge Inch	Voltage	Max			Cable M	Weight kg
					Head M	Capacity L/Min	Solid mm		
JS750SKSS	0.75	1	2	1 phase 100V-240V	15/15	345/345	21/21	10	27
JS1500SKSS	1.5	2	3		17/17	945/945	44/40	10	35
JST8SKSS	0.75	1	2	3 phase 200V-600V	15/15	310/310	21/21	10	25
JST15SKSS	1.5	2	3		17/17	950/950	44/40	10	32
JST22SKSS	2.2	3	3		20/20	1250/1250	44/40	10	41
JST37SKSS	3.7	5	3 or 4		24/24	1285/1285	35/44	10	46



Dimensions

(mm)

PUMP TYPE	DISCHARGE BORE	PUMP SECTION		
	d	A	D	H
JS750SKSS	2"(50)	310	195	530
JS1500SKSS	3"(80)	360	240	590
JST8SKSS	2"(50)	310	195	465
JST15SKSS	3"(80)	360	240	515
JST22SKSS	3"(80)	400	240	560
JST37SKSS	3"(80)	400	245	600
JST37SKSS	4"(100)	450	245	600